



Pendant

Ceiling

Wall

Stanchion

Class I, Div. 2, Groups A,B,C,D*
Class I, Zone 2, Groups IIC,IIB,IIA
Class II, Div. 1 & 2, Groups E,F,G*
Class III
Suitable for wet locations
Marine
NEMA 3, 4X

Listed - Files E10514 and E91793 (Marine)

Certified - File LR11713

FEATURES-SPECIFICATIONS

CERTILITE®

Applications

CERTILITE® MB fixtures are designed for installations where moisture, dirt, dust, corrosion and vibration may be present, or NEMA 3 and 4X areas where wind, water, snow or high ambients can be expected. They can be used in locations made hazardous by the presence of flammable vapors or gases or combustible dusts as defined by the NEC.

Typical applications include manufacturing plants, and certain chemical and petrochemical processing facilities, sewage treatment plants, offshore and dockside installations, garages and storage facilities.

Compliances

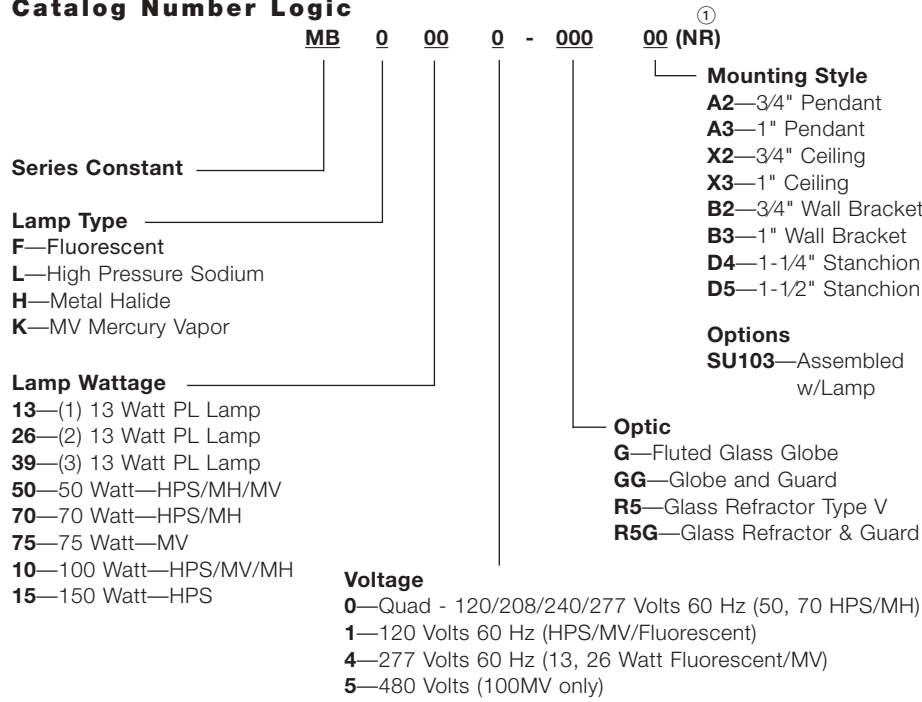
- UL-1572 Standard for HID lighting fixtures
- UL-1570 Standard for Fluorescent fixtures
- UL Marine type lighting fixtures (HID models) UL-844 Standard for lighting fixtures for hazardous locations, Class I, Division 2; Class II, Divisions 1 and 2; Class III
- CSA C22.2 no. 137-M1981 electric luminaries for use in hazardous locations
- Enclosed and gasketed
- NEMA 3, 4X

Features

- Ballast tank and splice box — corrosion resistant copper-free aluminum alloy
- Baked powder epoxy/polyester finish, electrostatically applied for complete, uniform corrosion protection
- All external hardware — stainless steel
- Guard — copper-free aluminum alloy
- Normally shipped as components for quick delivery

- Refractor guard — steel with corrosion resistant finish
- Reflector — lightweight, corrosion resistant polyester reinforced fiberglass
- Fluorescent models furnished with lamps. Energy efficient instant on white light (2700K). 10,000 hour lamp life
- HID lamp holders are E26 medium base

Catalog Number Logic




* See Hazardous Location Application Data on page L26 for limitations.
 ① See page L22 for Ex nR Restricted Breathing models.



Class I, Div. 2, Groups A,B,C,D*
Class I, Zone 2, Groups IIC, IIB, IIA
Class II, Div. 1 & 2, Groups E,F,G*
Class III
Suitable for wet locations
NEMA 3, 4X

 Listed - Files E10514 and E91793

 Certified - File LR11713

ORDERING INFORMATION

PENDANT



PENDANT FLUORESCENT					
LAMP TYPE	LAMP/① WATTS	HUB SIZE②	VOLTAGE 60 HZ③	CATALOG NUMBER②	
				GLOBE AND GUARD	REFRACTOR AND GUARD
Bi-Pin	13 Watt (1 x 13)	3/4"	120	MBF131-GGA2	MBF131-R5GA2
	26 Watt (2 x 13)	3/4"	120	MBF261-GGA2	MBF261-R5GA2
	39 Watt (3 x 13)	3/4"	120	MBF391-GGA2	MBF391-R5GA2

CEILING



CEILING FLUORESCENT					
LAMP TYPE	LAMP/① WATTS	HUB SIZE②	VOLTAGE 60 HZ③	CATALOG NUMBER②	
				GLOBE AND GUARD	REFRACTOR AND GUARD
Bi-Pin	13 Watt (1 x 13)	3/4"	120	MBF131-GGX2	MBF131-R5GX2
	26 Watt (2 x 13)	3/4"	120	MBF261-GGX2	MBF261-R5GX2
	39 Watt (3 x 13)	3/4"	120	MBF391-GGX2	MBF391-R5GX2

WALL



WALL FLUORESCENT					
LAMP TYPE	LAMP/① WATTS	HUB SIZE②	VOLTAGE 60 HZ③	CATALOG NUMBER②	
				GLOBE AND GUARD	REFRACTOR AND GUARD
Bi-Pin	13 Watt (1 x 13)	3/4"	120	MBF131-GGB2	MBF131-R5GB2
	26 Watt (2 x 13)	3/4"	120	MBF261-GGB2	MBF261-R5GB2
	39 Watt (3 x 13)	3/4"	120	MBF391-GGB2	MBF391-R5GB2

STANCHION



STANCHION FLUORESCENT					
LAMP TYPE	LAMP/① WATTS	HUB SIZE②	VOLTAGE 60 HZ③	CATALOG NUMBER②	
				GLOBE AND GUARD	REFRACTOR AND GUARD
Bi-Pin	13 Watt (1 x 13)	1-1/4"	120	MBF131-GGD4	MBF131-R5GD4
	26 Watt (2 x 13)	1-1/4"	120	MBF261-GGD4	MBF261-R5GD4
	39 Watt (3 x 13)	1-1/4"	120	MBF391-GGD4	MBF391-R5GD4

① Fixtures supplied with Bi-Pin fluorescent lamps. Replacement number MPL13.

② Catalog numbers shown are with 3/4" conduit openings (1-1/4" on stanchion mount) and include globe and guard. See catalog logic for other possible configurations.

③ Catalog numbers are shown with 120V ballasts. 1 & 2 lamp fixtures are available with 277V ballasts. Change 6th character from "1" to "4"; e.g. MBF264-GGA2.

* See Hazardous Location Application Data on page L26 for limitations.



NOTE:
For additional selection/configurations
of this product, see On-line Catalog.