



LR Type

- Suitable for wet locations when used with gasketed covers.
- Federal Specification W-C-586D/A-A 50563.
- Suitable for use in hazardous location applications when installed according to NEC Articles 501-4(b), Class I, Div. 2, (Suitable for use in Class I Zone 2 applications) 502-4 & 5, and 503-3.

Listed File No. E3397

Certified File No. LR11852

FEATURES-SPECIFICATIONS

DURALOY® 7

Applications

To provide access to conductors for pulling, splicing, and maintenance. Threaded for rigid conduit and IMC.

Features

- Intermateability UL Listed and CSA Certified interchangeability with competitive products
- Enhanced sealing capabilities neoprene sealing gaskets provide a NEMA 3 Seal
- High-quality sealing hardware 316 stainless steel cover screws and washers with neoprene gaskets
- Suitable for wet locations when used with gaskets
- Innovative spring clip design for installation ease and repeat usage
- Smooth integral wire bushings protects cable from damage when wires are pulled through opening
- For use with threaded rigid conduit steel or aluminum
- Ten standard hub configurations
- Flat-back design for greater wiring capacity and mounting stability

Material/Finish

Aluminum

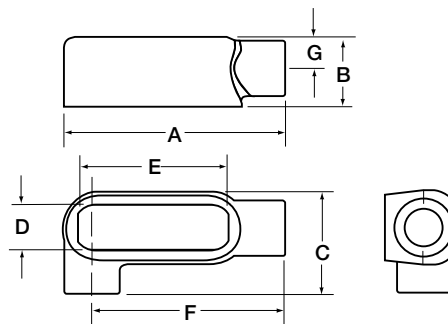
- Copper-free aluminum (less than 4/10 of 1%)
- Electrostatically applied powder coating

Duraloy Iron

- Class 30 gray iron alloy
- Superior corrosion protection tri-coat finish of electrozinc, chromate sealant and electrostatically applied powder coating.

LR TYPE CONDUIT BODY										
CATALOG NUMBER		HUB SIZE	DIMENSIONS							VOLUME CU. IN.
KILLARK ALUM.	DURALOY IRON		A	B	C	D	E	F	G	
LR17SA	LR17	1/2"	4-11/16" (119)	1-7/16" (37)	2-5/16" (59)	1" (25)	3-3/16" (81)	4-1/16" (103)	5/8" (16)	4.0
LR27SA	LR27	3/4"	5-3/8" (137)	1-11/16" (43)	2-5/8" (67)	1-1/8" (29)	3-13/16" (97)	4-5/8" (117)	3/4" (19)	7.0
LR37SA	LR37	1"	6-5/16" (160)	1-7/8" (48)	3-1/16" (78)	1-3/8" (35)	4-1/2" (114)	5-3/8" (137)	7/8" (22)	11.0
LR47SA	LR47	1-1/4"	6-13/16" (173)	2-5/16" (59)	3-1/2" (89)	1-13/16" (46)	5" (127)	5-3/4" (146)	1-1/8" (29)	19.5
LR57SA	LR57	1-1/2"	7-1/4" (184)	2-9/16" (65)	3-11/16" (94)	2-1/16" (52)	5-7/16" (138)	6-1/16" (154)	1-1/4" (32)	26.0
LR67SA	LR67	2"	8-1/4" (210)	3-1/8" (79)	4-1/4" (108)	2-5/8" (67)	6-3/8" (162)	6-3/4" (171)	1-1/2" (38)	48.0
LR77SA	LR77	2-1/2"	10-15/16" (278)	4-3/8" (111)	6-3/16" (157)	3-7/8" (98)	8-3/8" (213)	8-3/4" (222)	2-1/8" (54)	131.5
LR87SA	LR87	3"	10-15/16" (278)	4-3/8" (111)	6-3/16" (157)	3-7/8" (98)	8-3/8" (213)	8-3/4" (222)	2-1/8" (54)	131.5
LR97SA	LR97	3-1/2"	13" (330)	5-3/8" (137)	7-1/4" (184)	4-3/4" (121)	10-1/4" (260)	10-5/16" (262)	2-5/8" (67)	238.0
LR107SA	LR107	4"	13" (330)	5-3/8" (137)	7-1/4" (184)	4-3/4" (121)	10-1/4" (260)	10-5/16" (262)	2-5/8" (67)	238.0

Dimensions



LR Type



L Type ①



T Type

- Suitable for wet locations when used with gasketed covers.
- Federal Specification W-C-586D/A-A 50563.
- Suitable for use in hazardous location applications when installed according to NEC Articles 501-4(b), Class I, Div. 2, (Suitable for use in Class I Zone 2 applications) 502-4 & 5, and 503-3.

Listed File No. E3397

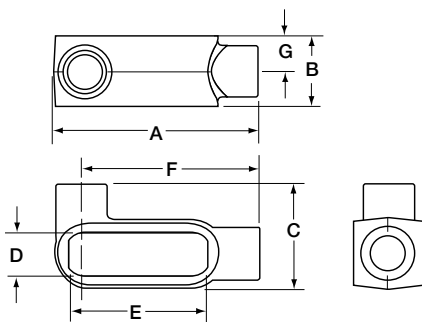
Certified File No. LR11852

FEATURES-SPECIFICATIONS

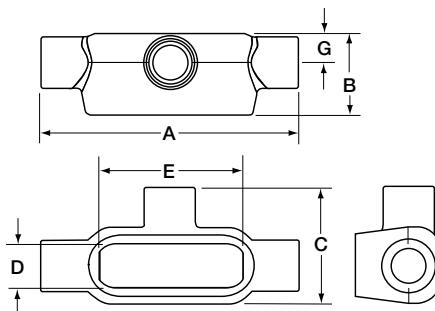
DURALOY® 7

See page F4 for Standard Materials & Finish

Dimensions



L Type



T Type

L TYPE CONDUIT BODY										
CATALOG NUMBER KILLARK ALUM. DURALOY IRON	HUB SIZE	DIMENSIONS								VOLUME CU. IN.
		A	B	C	D	E	F	G		
L17SA	L17	1/2"	4-11/16" (119)	1-7/16" (37)	2-5/16" (59)	1" (25)	3-3/16" (81)	4-1/16" (103)	5/8" (16)	4.0
L27SA	L27	3/4"	5-3/8" (137)	1-11/16" (43)	2-5/8" (67)	1-1/8" (29)	3-13/16" (97)	4-5/8" (117)	3/4" (19)	7.0
L37SA	L37	1"	6-5/16" (160)	1-7/8" (48)	3-1/16" (78)	1-3/8" (35)	4-1/2" (114)	5-3/8" (137)	7/8" (22)	11.0
L47SA	L47	1-1/4"	6-13/16" (173)	2-5/16" (59)	3-1/2" (89)	1-13/16" (46)	5" (127)	5-3/4" (146)	1-1/8" (29)	19.5
L57SA	L57	1-1/2"	7-1/4" (184)	2-9/16" (65)	3-11/16" (94)	2-1/16" (52)	5-7/16" (138)	6-1/16" (154)	1-1/4" (32)	26.0
L67SA	L67	2"	8-1/4" (210)	3-1/8" (79)	4-1/4" (108)	2-5/8" (67)	6-3/8" (162)	6-3/4" (171)	1-1/2" (38)	48.0
L77SA	L77	2-1/2"	10-15/16" (278)	4-3/8" (111)	6-3/16" (157)	3-7/8" (98)	8-3/8" (213)	8-3/4" (222)	2-1/8" (54)	131.5
L87SA	L87	3"	10-15/16" (278)	4-3/8" (111)	6-3/16" (157)	3-7/8" (98)	8-3/8" (213)	8-3/4" (222)	2-1/8" (54)	131.5

① L type is double faced and may be used as LL or LR. Has 2 openings, one of which is furnished with a blank sheet cover.

T TYPE CONDUIT BODY										
CATALOG NUMBER KILLARK ALUM. DURALOY IRON	HUB SIZE	DIMENSIONS								VOLUME CU. IN.
		A	B	C	D	E	F	G		
T17SA	T17	1/2"	5-11/16" (000)	1-13/16" (46)	2-1/2" (64)	1" (25)	3-3/16" (81)	—	5/8" (16)	6.2
T27SA	T27	3/4"	6-5/16" (000)	2-1/16" (52)	2-3/4" (67)	1-1/8" (29)	3-13/16" (97)	—	3/4" (19)	9.5
T37SA	T37	1"	7-5/8" (194)	2-1/4" (57)	3-1/4" (83)	1-3/8" (35)	4-1/2" (114)	—	7/8" (22)	11.5
T47SA	T47	1-1/4"	8" (203)	2-5/16" (59)	3-1/2" (89)	1-13/16" (46)	5" (127)	—	1-1/8" (29)	20.0
T57SA	T57	1-1/2"	8-7/16" (214)	2-9/16" (65)	3-11/16" (94)	2-1/16" (52)	5-7/16" (138)	—	1-1/4" (32)	27.0
T67SA	T67	2"	9-7/16" (240)	3-1/8" (79)	4-1/4" (108)	2-5/8" (67)	6-3/8" (162)	—	1-1/2" (38)	50.0
T77SA	T77	2-1/2"	12-3/4" (324)	4-3/8" (111)	6-3/16" (157)	3-7/8" (98)	8-3/8" (213)	—	2-1/8" (54)	134.0
T87SA	T87	3"	12-3/4" (324)	4-3/8" (111)	6-3/16" (157)	3-7/8" (98)	8-3/8" (213)	—	2-1/8" (54)	134.0
T97SA	T97	3-1/2"	14-7/8" (378)	5-3/8" (137)	7-1/4" (184)	4-3/4" (121)	10-1/4" (260)	—	2-5/8" (67)	238.0
T107SA	T107	4"	14-7/8" (378)	5-3/8" (137)	7-1/4" (184)	4-3/4" (121)	10-1/4" (260)	—	2-5/8" (67)	238.0



E Type



TA Type



TB Type

- Suitable for wet locations when used with gasketed covers.
- Federal Specification W-C-586D/A-A 50563.
- Suitable for use in hazardous location applications when installed according to NEC Articles 501-4(b), Class I, Div. 2, (Suitable for use in Class I Zone 2 applications) 502-4 & 5, and 503-3.

Listed File No. E3397

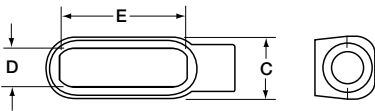
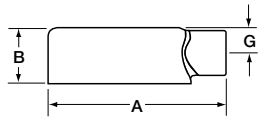
Certified File No. LR11852

FEATURES-SPECIFICATIONS

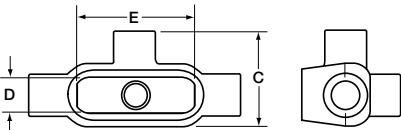
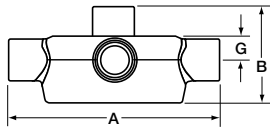


See page F4 for Standard Materials & Finish

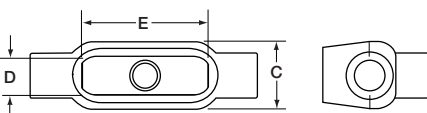
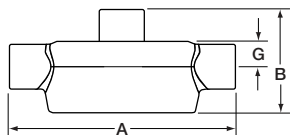
Dimensions



E Type



TA Type



TB Type

E TYPE CONDUIT BODY										
CATALOG NUMBER		HUB SIZE	DIMENSIONS							VOLUME CU. IN.
KILLARK ALUM.	DURALOY IRON		A	B	C	D	E	F	G	
E17SA	E17	1/2"	4-11/16" (119)	1-7/16" (37)	1-1/2" (38)	1" (25)	3-3/16" (81)	—	5/8" (16)	4.0
E27SA	E27	3/4"	5-3/8" (137)	1-11/16" (43)	1-3/4" (67)	1-1/8" (29)	3-13/16" (97)	—	3/4" (19)	7.0
E37SA	E37	1"	6-5/16" (160)	1-7/8" (48)	1-15/16" (49)	1-3/8" (35)	4-1/2" (114)	—	7/8" (22)	11.0

TA TYPE CONDUIT BODY										
CATALOG NUMBER		HUB SIZE	DIMENSIONS							VOLUME CU. IN.
KILLARK ALUM.	DURALOY IRON		A	B	C	D	E	F	G	
TA17SA	TA17	1/2"	5-11/16" (144)	2-5/8" (67)	2-1/2" (64)	1" (25)	3-3/16" (81)	—	5/8" (16)	6.2
TA27SA	TA27	3/4"	6-5/16" (160)	2-7/8" (73)	2-3/4" (67)	1-1/8" (29)	3-13/16" (97)	—	3/4" (19)	9.5
TA37SA	TA37	1"	7-5/8" (194)	3-3/8" (86)	3-1/4" (100)	1-3/8" (35)	4-1/2" (114)	—	7/8" (22)	15.5
TA47SA	TA47	1-1/4"	8" (203)	3-1/2" (89)	3-1/2" (89)	1-13/16" (46)	5" (127)	—	1-1/8" (32)	20.0
TA57SA	TA57	1-1/2"	8-7/16" (214)	3-3/4" (95)	3-11/16" (94)	2-1/16" (52)	5-7/16" (138)	—	1-1/4" (32)	27.0
TA67SA	TA67	2"	9-7/16" (240)	4-5/16" (110)	4-1/4" (108)	2-5/8" (67)	6-3/8" (162)	—	1-1/2" (38)	50.0

TB TYPE CONDUIT BODY										
CATALOG NUMBER		HUB SIZE	DIMENSIONS							VOLUME CU. IN.
KILLARK ALUM.	DURALOY IRON		A	B	C	D	E	F	G	
TB17SA	TB17	1/2"	5-11/16" (144)	2-5/8" (67)	1-11/16" (43)	1" (25)	3-3/16" (81)	—	5/8" (16)	6.2
TB27SA	TB27	3/4"	6-5/16" (160)	2-7/8" (73)	1-7/8" (67)	1-1/8" (29)	3-13/16" (97)	—	3/4" (19)	9.5
TB37SA	TB37	1"	7-5/8" (194)	3-3/8" (86)	3-3/8" (86)	1-3/8" (35)	4-1/2" (114)	—	7/8" (22)	15.5
TB47SA	TB47	1-1/4"	8" (203)	3-1/2" (89)	3-1/2" (89)	1-13/16" (46)	5" (127)	—	1-1/8" (29)	20.0
TB57SA	TB57	1-1/2"	8-7/16" (214)	3-3/4" (95)	3-3/4" (95)	2-1/16" (52)	5-7/16" (138)	—	1-1/4" (32)	27.0
TB67SA	TB67	2"	9-7/16" (240)	4-5/16" (110)	4-5/16" (110)	2-5/8" (67)	6-3/8" (162)	—	1-1/2" (38)	50.0





X Type



C Type

- Suitable for wet locations when used with gasketed covers.
- Federal Specification W-C-586D/A-A 50563.
- Suitable for use in hazardous location applications when installed according to NEC Articles 501-4(b), Class I, Div. 2, (Suitable for use in Class I Zone 2 applications) 502-4 & 5, and 503-3.

Listed File No. E3397

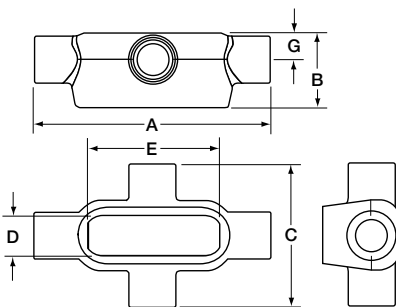
Certified File No. LR11852

FEATURES-SPECIFICATIONS

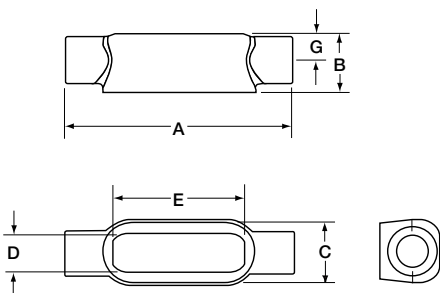
DURALOY® 7

See page F4 for Standard Materials & Finish

Dimensions



X Type



C Type

X TYPE CONDUIT BODY										
CATALOG NUMBER KILLARK ALUM.	DURALOY IRON	HUB SIZE	DIMENSIONS							VOLUME CU. IN.
			A	B	C	D	E	F	G	
X17SA	X17	1/2"	5-11/16" (144)	1-3/8" (35)	3-3/8" (86)	1" (25)	3-3/16" (81)	—	5/8" (16)	6.2
X27SA	X27	3/4"	6-5/16" (160)	2-1/16" (52)	3-9/16" (67)	1-1/8" (29)	3-13/16" (97)	—	3/4" (19)	9.5
X37SA	X37	1"	7-5/8" (194)	2-1/4" (57)	4-3/8" (111)	1-3/8" (35)	4-1/2" (114)	—	7/8" (22)	15.5
X47SA	X47	1-1/4"	8" (203)	2-5/16" (59)	4-11/16" (100)	1-13/16" (46)	5" (127)	—	1-1/8" (29)	20.0
X57SA	X57	1-1/2"	8-7/16" (214)	2-9/16" (65)	4-7/8" (124)	2-1/16" (52)	5-7/16" (138)	—	1-1/4" (32)	27.0
X67SA	X67	2"	9-7/16" (240)	3-1/8" (79)	5-7/16" (138)	2-5/8" (67)	6-3/8" (162)	—	1-1/2" (38)	50.0

C TYPE CONDUIT BODY										
CATALOG NUMBER KILLARK ALUM.	DURALOY IRON	HUB SIZE	DIMENSIONS							VOLUME CU. IN.
			A	B	C	D	E	F	G	
C17SA	C17	1/2"	5-1/2" (140)	1-7/16" (37)	1-1/2" (38)	1" (25)	3-3/16" (81)	—	5/8" (16)	4.0
C27SA	C27	3/4"	6-3/16" (157)	1-11/16" (43)	1-3/4" (67)	1-1/8" (29)	3-13/16" (97)	—	3/4" (19)	7.0
C37SA	C37	1"	7-7/16" (189)	1-7/8" (48)	1-15/16" (49)	1-3/8" (35)	4-1/2" (114)	—	7/8" (22)	11.0
C47SA	C47	1-1/4"	8" (203)	2-5/16" (59)	2-5/16" (59)	1-13/16" (46)	5" (127)	—	1-1/8" (29)	19.5
C57SA	C57	1-1/2"	8-7/16" (214)	2-9/16" (65)	2-1/2" (64)	2-1/16" (52)	5-7/16" (138)	—	1-1/4" (32)	26.0
C67SA	C67	2"	9-7/16" (240)	3-1/8" (79)	3-1/16" (78)	2-5/8" (67)	6-3/8" (162)	—	1-1/2" (38)	48.0
C77SA	C77	2-1/2"	12-3/4" (324)	4-3/8" (111)	4-3/8" (111)	3-7/8" (98)	8-3/8" (213)	—	2-1/8" (54)	131.5
C87SA	C87	3"	12-3/4" (324)	4-3/8" (111)	4-3/8" (111)	3-7/8" (98)	8-3/8" (213)	—	2-1/8" (54)	131.5
C97SA	C97	3-1/2"	14-7/8" (378)	5-3/8" (137)	5-3/8" (137)	4-3/4" (121)	10-1/4" (260)	—	2-5/8" (67)	238.0
C107SA	C107	4"	14-7/8" (378)	5-3/8" (137)	5-3/8" (137)	4-3/4" (121)	10-1/4" (260)	—	2-5/8" (67)	238.0

- Suitable for wet locations when used with gasketed covers.
- Federal Specification W-C-586D/A-A 50563.
- Suitable for use in hazardous location applications when installed according to NEC Articles 501-4(b), Class I, Div. 2, (Suitable for use in Class I Zone 2 applications) 502-4 & 5, and 503-3.

 Listed File No. E3397

 Certified File No. LR11852



LB Type



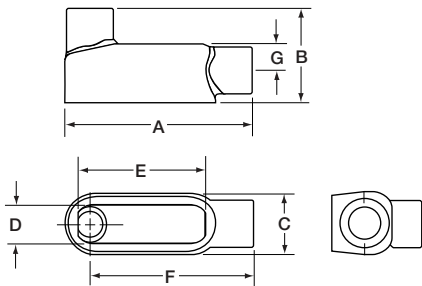
LL Type

FEATURES-SPECIFICATIONS

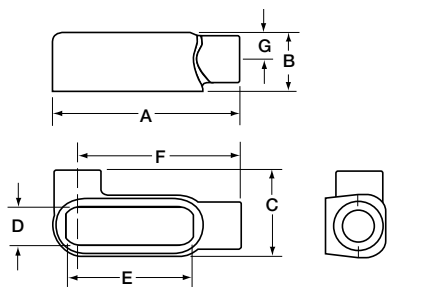


See page F4 for Standard Materials & Finish

Dimensions



LB Type



LL Type

LB TYPE CONDUIT BODY										
CATALOG NUMBER	KILLARK ALUM.	DURALOY IRON	HUB SIZE	DIMENSIONS						VOLUME CU. IN.
				A	B	C	D	E	F	
LB17SA	LB17	1/2"	4-11/16" (119)	2-1/4" (57)	1-1/2" (38)	1" (25)	3-3/16" (81)	4-1/16" (103)	5/8" (16)	4.0
LB27SA	LB27	3/4"	5-3/8" (137)	2-1/2" (64)	1-3/4" (67)	1-1/8" (29)	3-13/16" (97)	4-5/8" (117)	3/4" (19)	7.0
LB37SA	LB37	1"	6-5/16" (160)	3" (76)	1-15/16" (49)	1-3/8" (35)	4-1/2" (114)	5-3/8" (137)	7/8" (22)	11.0
LB47SA	LB47	1-1/4"	6-13/16" (173)	3-1/2" (89)	2-5/16" (59)	1-13/16" (46)	5" (127)	5-3/4" (146)	1-1/8" (29)	19.5
LB57SA	LB57	1-1/2"	7-1/4" (184)	3-3/4" (95)	2-1/2" (64)	2-1/16" (52)	5-7/16" (138)	6-1/16" (154)	1-1/4" (32)	26.0
LB67SA	LB67	2"	8-1/4" (210)	4-5/16" (109)	3-1/16" (78)	2-5/8" (67)	6-3/8" (162)	6-3/4" (171)	1-1/2" (38)	48.0
LB77SA	LB77	2-1/2"	10-15/16" (278)	6-3/16" (157)	4-3/8" (111)	3-7/8" (98)	8-3/8" (213)	8-3/4" (222)	2-1/8" (54)	131.5
LB87SA	LB87	3"	10-15/16" (278)	6-3/16" (157)	4-3/8" (111)	3-7/8" (98)	8-3/8" (213)	8-3/4" (222)	2-1/8" (54)	131.5
LB97SA	LB97	3-1/2"	13" (330)	7-1/4" (184)	5-3/8" (137)	4-3/4" (121)	10-1/4" (260)	10-5/16" (262)	2-5/8" (67)	238.0
LB107SA	LB107	4"	13" (330)	7-1/4" (184)	5-3/8" (137)	4-3/4" (121)	10-1/4" (260)	10-5/16" (262)	2-5/8" (67)	238.0

LL TYPE CONDUIT BODY										
CATALOG NUMBER	KILLARK ALUM.	DURALOY IRON	HUB SIZE	DIMENSIONS						VOLUME CU. IN.
				A	B	C	D	E	F	
LL17SA	LL17	1/2"	4-11/16" (119)	1-7/16" (37)	2-5/16" (59)	1" (25)	3-3/16" (81)	4-1/16" (103)	5/8" (16)	4.0
LL27SA	LL27	3/4"	5-3/8" (137)	1-11/16" (43)	2-5/8" (67)	1-1/8" (29)	3-13/16" (97)	4-5/8" (117)	3/4" (19)	7.0
LL37SA	LL37	1"	6-5/16" (160)	1-7/8" (48)	3-1/16" (78)	1-3/8" (35)	4-1/2" (114)	5-3/8" (137)	7/8" (22)	11.0
LL47SA	LL47	1-1/4"	6-13/16" (173)	2-5/16" (59)	3-1/2" (89)	1-13/16" (46)	5" (127)	5-3/4" (146)	1-1/8" (29)	19.5
LL57SA	LL57	1-1/2"	7-1/4" (184)	2-9/16" (65)	3-11/16" (94)	2-1/16" (52)	5-7/16" (138)	6-1/16" (154)	1-1/4" (32)	26.0
LL67SA	LL67	2"	8-1/4" (210)	3-1/8" (79)	4-1/4" (108)	2-5/8" (67)	6-3/8" (162)	6-3/4" (171)	1-1/2" (38)	48.0
LL77SA	LL77	2-1/2"	10-15/16" (278)	4-3/8" (111)	6-3/16" (157)	3-7/8" (98)	8-3/8" (213)	8-3/4" (222)	2-1/8" (54)	131.5
LL87SA	LL87	3"	10-15/16" (278)	4-3/8" (111)	6-3/16" (157)	3-7/8" (98)	8-3/8" (213)	8-3/4" (222)	2-1/8" (54)	131.5
LL97SA	LL97	3-1/2"	13" (330)	5-3/8" (137)	7-1/4" (184)	4-3/4" (121)	10-1/4" (260)	10-5/16" (262)	2-5/8" (67)	238.0
LL107SA	LL107	4"	13" (330)	5-3/8" (137)	7-1/4" (184)	4-3/4" (121)	10-1/4" (260)	10-5/16" (262)	2-5/8" (67)	238.0



Stamped Covers

Cast Covers

FEATURES-SPECIFICATIONS

DURALOY® 7

Stamped Material/Finish
Aluminum

- 316 Stainless steel screws
- Natural finish

Galvanized Steel

- 316 Stainless steel screws
- Natural finish

Cast Material/Finish
Copper-free Aluminum
 (less than 4/10 of 1%)

- Electrostatically applied powder coating

Duraloy Class 30 Gray Iron Alloy

- Tri-coat finish of electrozinc, chromate sealant, and electrostatically applied powder coating
- 316 Stainless steel screws

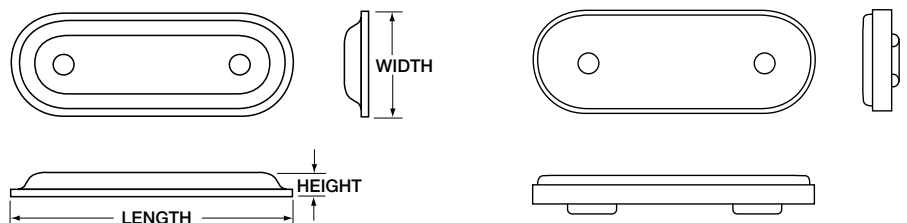
STAMPED ALUMINUM AND STAMPED STEEL COVERS					
CATALOG NUMBER		HUB SIZE	DIMENSIONS		
KILLARK ALUMINUM	STAMPED STEEL		LENGTH	WIDTH	HEIGHT
170SA	170	1/2"	3-11/16" (94)	1-3/8" (35)	5/16" (8)
270SA	270	3/4"	4-1/4" (108)	1-1/2" (32)	5/16" (8)
370SA	370	1"	5" (127)	1-3/4" (44)	5/16" (8)
470SA	470	1-1/4"	5-1/2" (140)	2-3/16" (56)	5/16" (8)
570SA	570	1-1/2"	6" (152)	2-7/16" (62)	5/16" (8)
670SA	670	2"	7" (178)	3" (76)	5/16" (8)
870SA	870	2-1/2"	9" (229)	4-1/4" (108)	9/16" (14)
870SA	870	3"	9" (229)	4-1/4" (108)	9/16" (14)
970SA	970	3-1/2"	11" (279)	5-1/4" (133)	9/16" (14)
970SA	970	4"	11" (279)	5-1/4" (133)	9/16" (14)

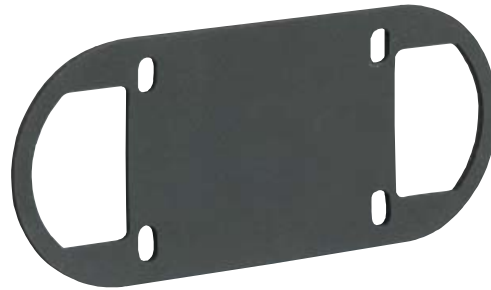
CAST ALUMINUM AND CAST IRON COVERS					
CATALOG NUMBER		HUB SIZE	DIMENSIONS		
KILLARK ALUMINUM	DURALOY IRON		LENGTH	WIDTH	HEIGHT
170CSA	170C	1/2"	3-11/16" (94)	1-3/8" (35)	3/8" (10)
270CSA	270C	3/4"	4-1/4" (108)	1-1/2" (32)	3/8" (10)
370CSA	370C	1"	5" (127)	1-3/4" (44)	3/8" (10)
470CSA	470C	1-1/4"	5-1/2" (140)	2-3/16" (56)	3/8" (10)
570CSA	570C	1-1/2"	6" (152)	2-7/16" (62)	3/8" (10)
670CSA	670C	2"	7" (178)	3" (76)	3/8" (10)
870CSA	870C	2-1/2"	9" (229)	4-1/4" (108)	3/8" (10)
870CSA	870C	3"	9" (229)	4-1/4" (108)	3/8" (10)
970CSA	970C	3-1/2"	11" (279)	5-1/4" (133)	3/8" (10)
970CSA	970C	4"	11" (279)	5-1/4" (133)	3/8" (10)

Dimensions

Stamped Covers

Cast Covers





Cover Gaskets

FEATURES-SPECIFICATIONS

DURALOY®7

Material

- Open cell neoprene

COVER GASKETS (OPEN CELL NEOPRENE)				
CATALOG NUMBER	HUB SIZE	DIMENSIONS		
		LENGTH	WIDTH	HEIGHT
GASK571	1/2"	3-11/16" (94)	1-3/8" (35)	1/8" (3)
GASK572	3/4"	4-1/4" (108)	1-1/2" (38)	1/8" (3)
GASK573	1"	5" (127)	1-3/4" (44)	1/8" (3)
GASK574	1-1/4"	5-1/2" (140)	2-3/16" (56)	1/8" (3)
GASK575	1-1/2"	6" (152)	2-7/16" (62)	1/8" (3)
GASK576	2"	7" (178)	3" (76)	1/8" (3)
GASK578	2-1/2"	9" (229)	4-1/4" (108)	1/8" (3)
GASK578	3"	9" (229)	4-1/4" (108)	1/8" (3)
GASK579	3-1/2"	11" (279)	5-1/4" (133)	1/8" (3)
GASK579	4"	11" (279)	5-1/4" (133)	1/8" (3)

Dimensions

